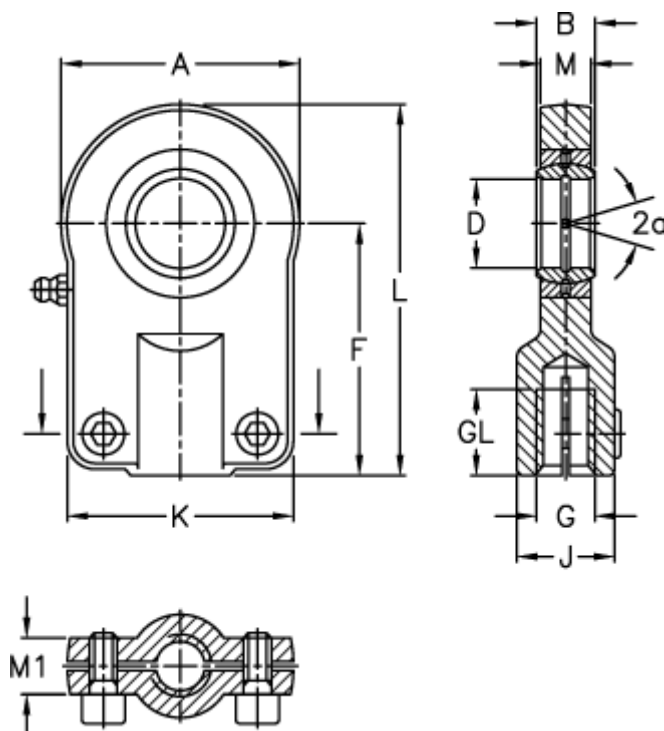


Article number: 03550016

Description: Fluro hydraulic rod end FPR 16S

Measures



A	= 45	J	= 21
a (degrees)	= 10	K	= 45
B	= 14	L	= 70.5
D	= 16	M	= 11
Dynamic load C (kN)	= 21.1	M1	= 13
F	= 48	Static load C0 (kN)	= 28.5
g	= M12x1,25	Torque (N m)	= 10
GL	= 17	Weight	= 250